

Installation
Operation
and
Maintenance
Instructions

Outdoor
Refrigerated
Wine Cellar
6OSWCE



life. luxury. marvel.

An AGA Company

UNPACKING YOUR OUTDOOR WINE CELLAR

Remove Packaging

Your outdoor wine cellar has been packed for shipment with all parts that could be damaged by movement securely fastened. Before using, be sure all packing materials and tape have been removed.

Important

Keep your carton packaging until your wine cabinet has been thoroughly inspected and found to be in good condition. If there is damage, the packaging will be needed as proof of damage in transit.

Note to Customer

This merchandise was carefully packed and thoroughly inspected before leaving our plant. Responsibility for its safe delivery was assumed by the retailer upon acceptance of the shipment. Claims for loss or damage sustained in transit must be made on the retailer as follows:

- Exterior and Concealed Damage
Any damage must be reported immediately to your retailer.

DO NOT RETURN DAMAGED MERCHANDISE TO THE MANUFACTURER - FILE THE CLAIM WITH THE RETAILER.

REMINDER

IT IS IMPORTANT THAT YOU SEND IN YOUR WARRANTY RECORD CARD IMMEDIATELY AFTER TAKING DELIVERY OF YOUR REFRIGERATED DRAWERS.

Outdoor 6OSWCE Wine Cellar Specifications	
Dimensions HxWxD (in.)	34 x 23 7/8 x 24 1/4
Weight	170 lbs.
Capacity	54 Wine Bottles
Temperature	40-65 °F
Power Supply supplied with a 15 amp plug	115V

INSTALLING YOUR OUTDOOR WINE CELLAR

Select Location

The proper location will ensure peak performance of your appliance. Choose a location where the unit will be out of direct sunlight and away from heat sources. Best performance will be maintained when installed within the following parameters:

Unit should be operated in a properly ventilated area with ambient temperatures above 40 degrees and below 100 degrees Fahrenheit.

Cabinet Clearance

Ventilation is required from the bottom front section of the unit. Keep this area open and clear of any obstructions. Adjacent cabinets and countertop can be installed on top, back and sides of the unit as long as the grille and door access remain unobstructed. An opening of 24 inches is required between cabinets and a depth of 24 inches.

Leveling Legs

Adjustable legs at the front corners of the unit should be set so the unit is firmly positioned on the floor and the front is raised just enough so that the door closes easily when opened about halfway.

Turn leveling legs clockwise to raise unit, counterclockwise to lower it.

Door Hinge Reversing

You can change the door swing from right- to left-hand very easily. Simply unscrew the top and bottom hinge pin, lift the door off the bottom hinge, and switch the hinges to the other side. Screw the hinge pin back in what is now the bottom hinge, unscrew the hinge pin in what is now the top hinge, replace door, and screw the pin back in the top hinge.



WARNING

- Do not splash or spray water from a hose on the refrigerator! Doing so may cause an electrical shock, which may result in severe injury or death.
- This unit should not, under any circumstances, be ungrounded.

Grounding Method

This product is factory equipped with a power supply cord that has a three-pronged, grounded plug. It must be plugged into a mating grounding type receptacle in accordance with the National Electrical Code and applicable local codes and ordinances (see Figure 1). If the circuit does not have a grounding type receptacle, it is the responsibility and obligation of the customer to exchange the existing receptacle in accordance with the National Electrical Code and applicable local codes and ordinances. The third ground prong should not, under any circumstances, be cut or removed. All U.L. listed refrigerated products are equipped with this type of plug.

A ground fault circuit interrupter electrical receptacle is to be used to supply electrical power to the refrigerator for outdoor applications. Contact an electrician if you need to install one to supply electrical power to your outdoor refrigerator.

Electrical Connection

Check the serial nameplate for the correct power supply. Use only the electrical power supply specified on the serial nameplate. **DO NOT USE AN EXTENSION CORD.**

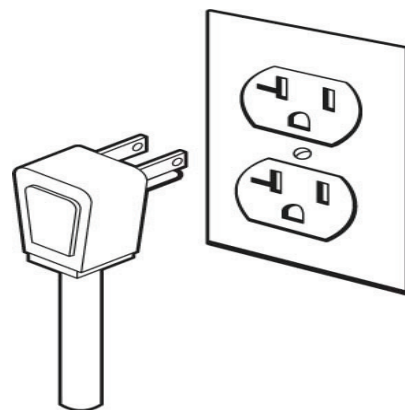


Figure 1

SENTRY SYSTEM™ REFRIGERATION MONITOR

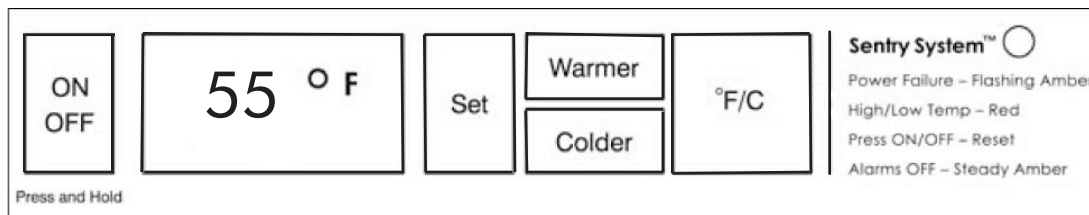


Figure 2

Start Your Appliance

Your appliance will start upon initial plug-in. The LED will flash amber upon initial plug-in due to your unit being powered-on at the factory to verify performance and then powered-off. The Sentry System™ refrigeration monitor senses a power outage has occurred and relays this information to you when you initially power-up your appliance. This is normal and pressing the “ON/OFF” button will reset this alarm function.

If your appliance’s control has been shut-off (i.e., unit plugged in, interior lights operate, display blank), unit must be turned on. To turn on your appliance, push and hold for five (5) seconds, the “ON/OFF” button located on the display panel (see Figure 2).

Once loaded with wine bottles, allow at least 48 hours for the unit to stabilize before making any adjustments to the initial setting.

Set Your Temperature Mode

This product can display either Fahrenheit or Celsius. To do so, press the “°F/C” button on the display panel.

Set the Controls

The available temperature range of the unit is from 40 to 65 degrees F. The temperature set point is initially set in the factory at 55 degrees F. The temperature set point can be lowered or raised by first pushing the “SET” button on the display pad. A “SET” icon will be displayed. Pushing either the “WARMER” or “COLDER” buttons located on the display pad will raise or lower the set temperature by one (1) degree F or C (depending on your setting). As with any refrigeration product, there is a slight temperature variance at different locations within the cabinet.

Adjustable Temperature Control

The temperature control is fully adjustable from the low forties to the mid-sixties. The range allows flexibility of temperature preferences.

Interior Light and Switch

The interior light makes it easy to view your wine labels and enhances the display of your collection. The light will always come on when the door is opened.

Warning Alarms

Your wine cellar has been fitted with a Sentry System™ refrigeration monitor. This monitor will let you know if your cellar is not functioning properly for optimum wine storage.

Door Ajar Alarm

If the door has been left open for over five (5) minutes, the alarm will sound and the LED will flash green. This will stop as soon as the door is closed.

High and Low Temperature

If your unit reaches temperatures outside normal operating temperatures for your set point for more than one (1) hour, an alarm will sound and the LED will flash red. This will warn you that your wines have seen temperatures that may not be conducive for long-term storage.

Power Failure

If your unit experiences a power failure, the LED will flash amber until the alarm is reset.

Reset Alarms

Press the “ON/OFF” button for approximately one (1) second. This will reset all audible and display alarms.

Sabbath Mode

Your wine cellar is equipped with a Sabbath Mode feature. By activating this mode, you will be disabling all displays, audible alarms and lights.

To activate the Sabbath Mode, press and hold the “SET” button while pressing the “°F/C” button four (4) times within seven (7) seconds. To deactivate Sabbath Mode, repeat the process. Sabbath Mode will automatically deactivate after 72 hours.

6OSWCE WINE CELLAR FEATURES

Insert Wine Bottles

The six (6) roll-out shelves each hold eight (8) bottles. See Figure 3 for typical wine bottle spacing. Tall bottles should not be loaded on the bottom rack because they may prevent the door from closing.

Loading Tips and Suggestions

Position white wines on the middle or lower racks and red wines on the upper racks (see Figure 4).

Keep wines that you plan to use for everyday drinking and entertaining on the front half of the racks where labels are completely visible. Place wines for aging or longer term storing in the rear.

Roll-out Racks

The six (6) roll-out wine racks may be pulled out approximately 14 inches to facilitate adding or removing bottles. Do NOT lean on or press down heavily on the wine shelves. Doing so may damage the shelves and the wine bottles stored on them. Pull the wine racks out gently and carefully to minimize unsettling your wine collection. AVOID pulling out more than one rack at any time to maintain stability.

Single Bottle Racks

Since bottles are not stacked on top of each other, you can easily view and access your inventory without disturbing other bottles (see Figure 5).

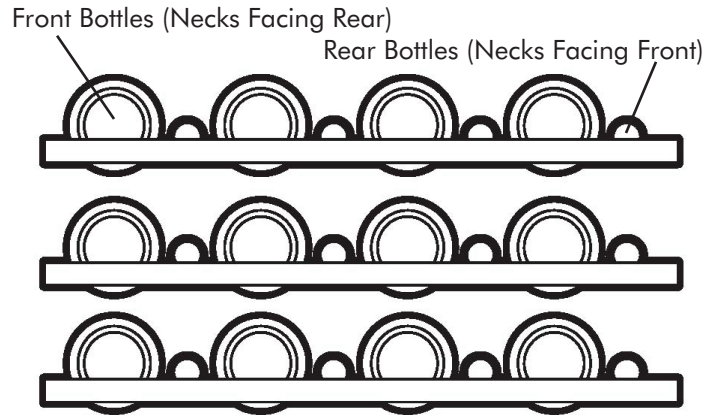


Figure 3

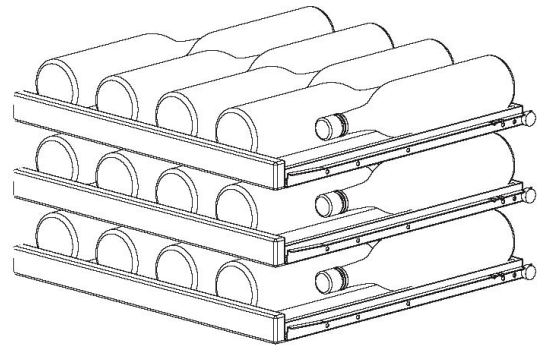


Figure 4

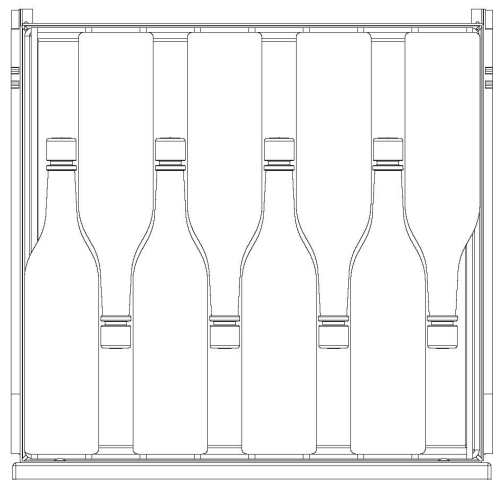


Figure 5

CARE AND CLEANING OF YOUR OUTDOOR WINE CELLAR

Condenser

The condenser tubing inside the cabinet does not require frequent cleaning; however, satisfactory cooling depends on adequate ventilation over the coils. Be sure that nothing obstructs the required air flow openings in front of the cabinet. At least once or twice a year, brush or vacuum lint and dirt from the condenser for efficient performance by unscrewing the grille on the bottom front of the cabinet.

Cabinet

The stainless steel cabinet can be washed with either a stainless steel cleaner or a mild soap and water and thoroughly rinsed with clear water. NEVER use abrasive scouring cleaners.

Interior

Wash interior compartment with mild soap and water. Do NOT use an abrasive cleaner, solvent, polish cleaner or undiluted detergent.

Roll-out Racks

The racks may be cleaned with mild soap and water and a soft cloth. Do NOT use any abrasive cleaners.

Door Gasket

The vinyl gasket may be cleaned with mild soap and water, a baking soda solution or a mild scouring powder.

Light Bulb Replacement

WARNING! DISCONNECT THE POWER CORD BEFORE ATTEMPTING LIGHT BULB REPLACEMENT. Failure to do so may result in an electrical shock that could severely injure you.

This product uses two, 6 watt light tubes to illuminate the interior of the wine cellar. The light tube is a very reliable electrical component, but should it not function properly, please call the dealer you purchased your wine cellar from for a replacement light tube. Use only an original equipment light tube from your dealer or Marvel Industries.

Do NOT under any circumstance use a light tube that exceeds 10 watts!

To replace a light tube, use a hex-head driver, remove the two hex-head screws that hold a cover plate over the back section of the light tube. Set the screws and cover plate aside for reassembly later.

Using a small flat-blade screwdriver, gently lever the front section of the light tube down to allow it to be pulled clear of the light housing.

Disconnect the two insulated electrical connectors from the cabinet's electrical cable and discard the old light tube. Reconnect the electrical connector of the new light tube to the cabinet's electrical cable connectors. Make sure it is secure and fully installed.

Carefully realign the light tube's electrical terminal back into the rear of the light enclosure channel making sure not to crimp them. Gently insert the light tube along the length of the light enclosure channel. Press the light tube gently into the light enclosure channel. Only a small part of the light tube should project below the ceiling of the wine cellar. **DO NOT USE A HAMMER TO FIT THE LIGHT TUBE.**

Place the light tube terminal cover plate back in the original position on the light enclosure's flange. Reuse the original two screws to secure it in place. Plug the wine cellar into the electrical socket. Check to see if the light tube operates properly. Your light tube's replacement is complete.

The light tubes are not covered by your warranty. Replacement tubes can be obtained from your dealer or from Marvel Industries.

In the Event of a Power Failure

If a power failure occurs, try to correct it as soon as possible. Minimize the number of door openings while the power is off so as not to adversely affect the unit's temperature.

TROUBLESHOOTING YOUR OUTDOOR WINE CELLAR

Before Calling for Service

Before calling for service, check the troubleshooting table on this page. This table lists possible problems that you can remedy without difficulty to avoid an unnecessary service call.

PROBLEM	POSSIBLE CAUSES/SOLUTIONS
Odor in cabinet	1. Interior needs cleaning
Noisy operation	1. Cabinet not level
	2. Weak floor
Cabinet vibrates	1. Cabinet not level
	2. Weak floor
Cabinet light not working	1. Tube burned out
	2. No power at outlet
Appliance will not run	1. "ON/OFF" button pressed
	2. Power cord not plugged in
	3. No power at electrical outlet
	4. House fuse blown
Appliance runs too long	1. Prolonged door openings
	2. Control set too cold
	3. Condenser needs cleaning
Moisture collects inside	1. Too many door openings
	2. Prolonged door openings
	3. Hot, humid weather increases condensation
	4. Control improperly set
Moisture collects on outside surface	1. Hot, humid weather increases condensation (as humidity decreases, moisture will disappear)
	2. Control improperly set
Interior too hot/too cold	1. Control improperly set
Sentry System™ refrigeration monitor activated	1. See "Warning Alarms" on page 3
	2. See "Sentry System™ Control Quick Reference"
	3. Temperature alarm may occur after user selected temperature set point changes in excess of 10 degrees F, or during heavy usage conditions. This is normal and not a fault of the appliance. The Sentry System™ is monitoring the duration of large swings in temperature to protect your contents, and may alert you to this event. See "Reset Alarms" on page 4.

Help Prevent Tragedies

Each year children die because they climb inside a discarded refrigeration product, get trapped inside and suffocate. Take precautions to prevent such tragedies by removing the door or by taping or chaining it shut before discarding.

OBTAINING SERVICE FOR YOUR OUTDOOR WINE CELLAR

If You Do Need Service

If you do need service, contact your dealer or Marvel Industries. In any correspondence, refer to the model number and serial number of your unit which is located on the upper left hand side of the wall liner. Retain your proof of purchase. You may want to record these numbers in the space below.

For Your Records	
Date of Purchase	
Dealer's Name	
Dealer's Address	
Dealer's City	
Dealer's State	
Dealer's Zip	
Appliance Serial Number	
Model Number	
Date Warranty Card Sent (Must be within 10 Days of Purchase)	

How to Obtain Service

Your outdoor wine cellar requires little service because the best and most up to date materials, equipment and quality methods are employed throughout the manufacturing process.

If trouble occurs during normal operation, first check the troubleshooting chart on the previous page to see if any of these simple steps may correct the problem. If service becomes necessary:

1. If the product is within the first year warranty period, please call Marvel Customer Service at 800.428.6644 for directions on how to obtain warranty coverage in your area.
2. If the product is outside of the first year warranty period, Marvel Customer Service can provide recommendations of service centers in your area. A listing of authorized service centers is also available at www.lifeluxurymarvel.com under the service and support section.
3. In all correspondence regarding service, be sure to give the model number, serial number, and proof of purchase.
4. Try to have information or description of the nature of the problem, how long the unit has been running, the room temperature, and any additional information that may be helpful in quickly solving the problem.

HOUSEHOLD PRODUCT WARRANTY

Entire Product

Limited One Year Parts and Labor Warranty

Marvel warrants that it will supply all necessary parts and labor to repair or replace in the end user's home or office, any component which proves to be defective in material or workmanship, subject to the condition and exclusions stated below, for a period of one year from the date of purchase by the end user.

Additional Second Through Fifth Year

Limited Parts Only Warranty

During the four years following expiration of the one year limited warranty, Marvel will supply replacement parts for the hermetically sealed refrigeration system which consists of the compressor, condenser, drier, accumulator, bypass valve, connecting tubing and the evaporator that are proven to be defective due to workmanship or materials subject to the conditions and exclusions below.

The above warranties do not cover:

- Shipping costs of replacement parts or returned defective parts.
- Customer education or instructions on how to use the appliance.
- Any content loss due to product failure.
- Removal or installation.

Nor do the above warranties cover failure of this product or its components due to:

- Transportation or subsequent damages.
- Commercial use or use other than normal household or small office.
- Improper installation, misuse, abuse, accident or alteration, use on wiring not conforming to electrical codes, low or high voltages, failure to provide necessary maintenance, or other unreasonable use.

Parts or Service

Not Supplied or Designated by Marvel

The above warranties also do not apply if:

- The original bill of sale, deliver date, or serial number cannot be verified.
- Defective parts are not returned for inspection if so requested by Marvel.
- The refrigeration equipment is not in the possession of the original end use purchaser.

The warranties set forth herein are the only warranties extended by Marvel Industries. Any implied warranties, including the implied warranty of merchantability, are limited to the duration of these express warranties. In no event shall Marvel Industries be liable for any consequential or incidental damages or expenses resulting from breach of these or any other warranties, whether express or implied.

Some states do not allow the exclusion or limitation of consequential damages or a limitation on how long an implied warranty lasts, so the above exclusion or limitation may not apply to you. This warranty gives you specific legal rights and you may have other rights that may vary from state to state.

No person, firm, or corporation is authorized to make any other warranty or assume any other obligation for Marvel Industries. These warranties apply only to products used in any of the fifty states of the United States and the District of Columbia.

To obtain performance of this warranty, report any defects to:

Marvel Industries
P.O. Box 997
Richmond, Indiana 47375-0997
Phone: 800.428.6644



Marvel Industries
P.O. Box 997
Richmond, IN
47375-0997

800.428.6644

An AGA Company

41010819 Rev. B
03.03.08

www.lifeluxurymarvel.com

All specifications and product designs subject to change without notice. Such revisions do not entitle the buyer to corresponding changes, improvements, additions, replacements or compensation for previously purchased products.